

Dieter's Nixie Tube Data Archive

This file is a part of Dieter's Nixie- and display tubes data archive

If you have more datasheets, articles, books, pictures or other information about Nixie tubes or other display devices please let me know.

Thank you!

Document in this file	ETL datasheet: GR12G and GR12H tube
Display devices in this document	GR12G, GR12H

~~CONFIDENTIAL DATA SHEET~~
MAINTENANCE TYPE ONLY

*** DIGITRONS -12 Character Side-Viewing
Cold-Cathode Letter Tubes**

**GR 12 G
GR 12 H**

GR12G Tube contains the letters A to L inclusive

GR12H Tube contains the letters L to X excluding P and Q
but additionally including E.

Limit Ratings

Maximum cathode current:-

Letter I	5 mA
Letters L and T	5.5 mA
Letters J and F	7.5 mA
Remaining letters	9.0 mA

Minimum voltage necessary to ensure breakdown 220V

Characteristics

Nominal running voltage:-

Letter I at 4.5 mA	170V
Letters L and T at 5.0 mA	175V
Letters J and F at 6.25 mA	185V
Remaining letters at 7.5 mA	175V

A cathode left floating will assume some potential between that of the anode and the glowing cathode.

It should be noted that non-glowing cathodes must not be returned to a bias rail, but should be left disconnected.

Recommended Operating Conditions

D.C. operation

Anode Supply Voltage - $R_a = 10k\Omega$ 250V

A.C. operation

(Unsmoothed half-wave rectified 50 c.p.s. A.C.)

Anode Supply Voltage - $R_a = 12k\Omega$ 200-220V r.m.s.

$R_a = 18k\Omega$ 220-250V r.m.s.

Cathode equalizing resistors ($V_a = 250V$ only).

Letter I	8.2k Ω
Letters L and T	4.7k Ω

* Registered Trade Mark



~~CONFIDENTIAL~~ RG-9-1

~~CONFIDENTIAL~~
TENTATIVE DATA SHEET
MAINTENANCE TYPE ONLY

GR 12 G
GR 12 H

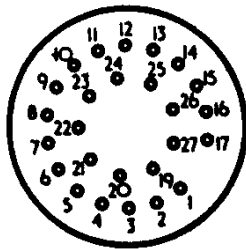
DIGITRONS - 12 Character Side-Viewing
Cold-Cathode Letter Tubes

Mechanical Data

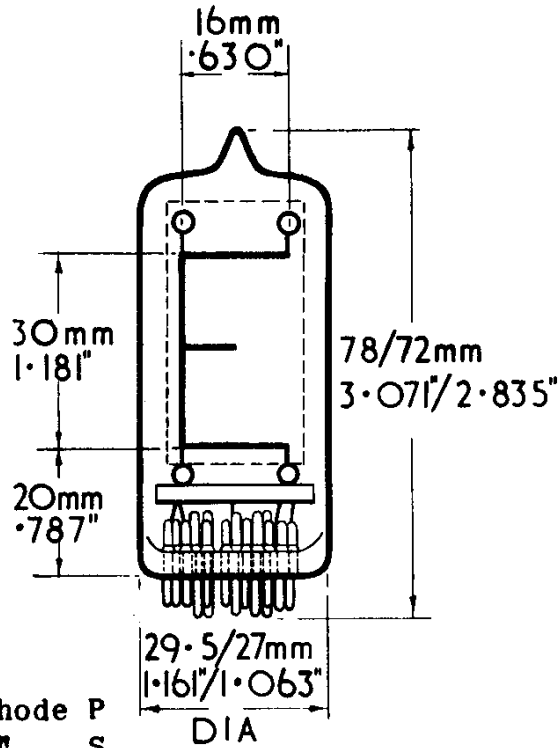
Mounting Position
 Base
 Socket

Any
 B26A
 B17, B26A or B27A

Base Connections
 (Underside view)



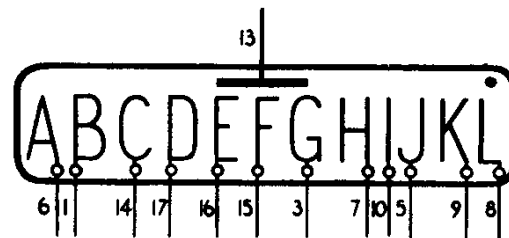
↑
FRONT



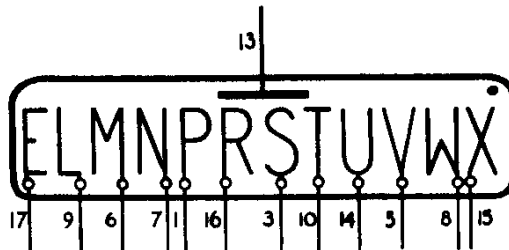
G12G

GR12H

Pin 1	Cathode B	Pin 1	Cathode P
3	" G	3	" S
5	" J	5	" V
6	" A	6	" M
7	" H	7	" N
8	" L	8	" W
9	" K	9	" L
10	" I	10	" T
13	Anode	13	Anode
14	Cathode C	14	Cathode U
15	" F	15	" X
16	" E	16	" R
17	" D	17	" E



GR 12 G



GR 12 H

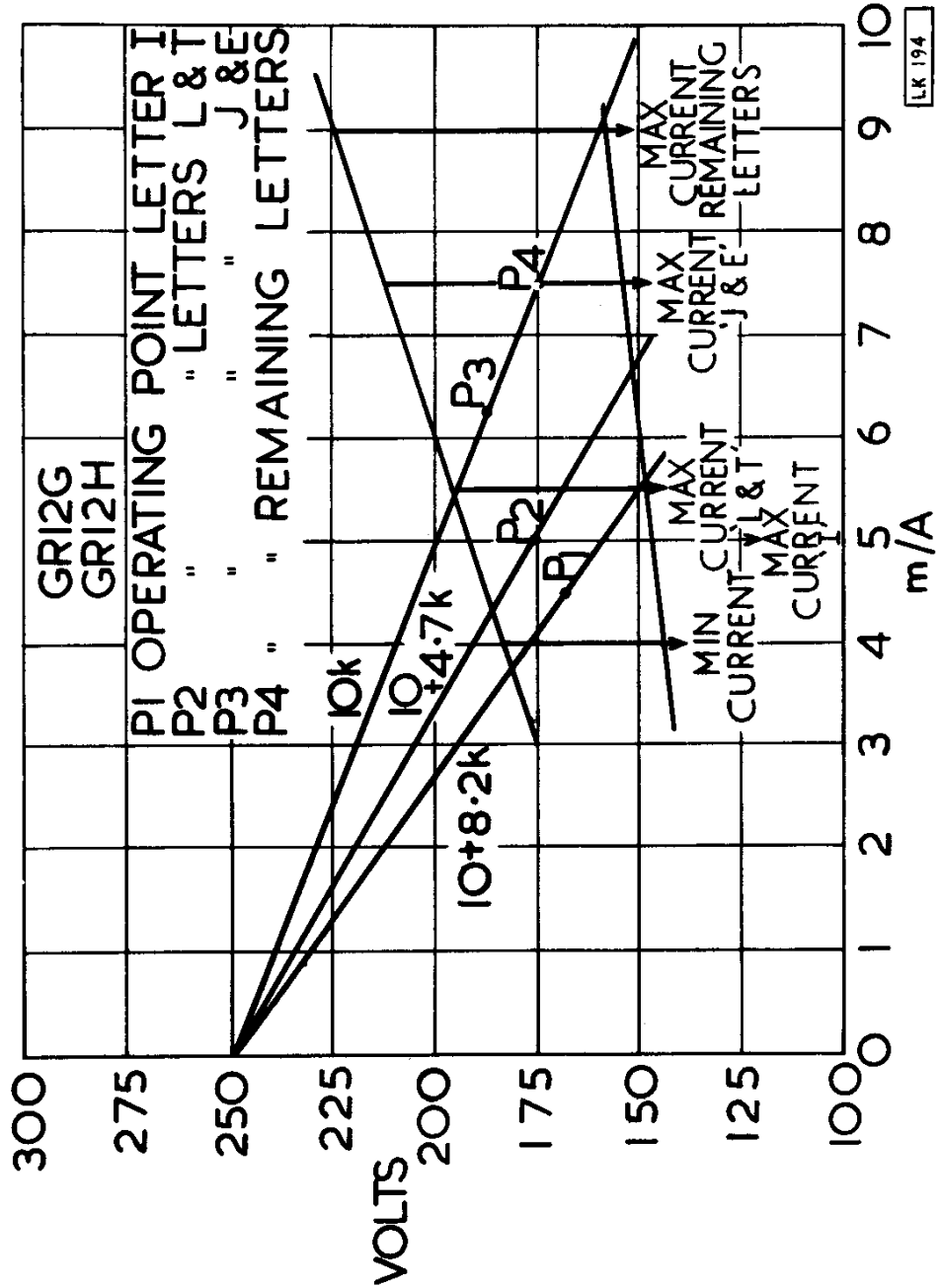
Note: Pins 2, 4, 11 and 12 must be left unconnected.



MAINTENANCE TYPE ONLY

* DIGITRONS -12 Character Side-Viewing
Cold-Cathode Letter Tubes

GR 12 G
GR 12 H



Operating Characteristics

* Registered Trade Mark

